

Theoretical Computer Science 1

René Maseli
Prof. Dr. Roland Meyer

Exercise 2

TU Braunschweig
Winter semester 2020/21

Release: 23.11.2021

Due: 02.12.2021, 23:59

Hand in your solutions per e-mail to your tutor until Thursday, 02.12.2021 23:59 pm. You should provide your solutions either directly as .pdf file or as a readable scan/photo of your handwritten notes. Submit your results as a group of four.

Exercise 1: Reaching Definitions [9 points]

Perform a Reaching-Definitions-Analysis on the following program.

```
[x := 0]0
while [x < 24]1 do
  [y := x7 + x4 + x3 + x2 + 1 mod 216]2
  if [y mod 3 ≠ 0]3 then
    [y := y + 1]4
  end if
  if [y < 215]5 then
    break
  end if
  [x := x + 1]6
end while
[y := 24 - x]7
```

- [1 point] Draw the control flow graph G for $B = \{0, 1, 2, 3, 4, 5, 6, 7\}$. Mark its extremal blocks. Note that this is a forwards analysis.
- [3 points] Consider the lattice $\mathcal{D} = \langle \mathcal{P}(\{x, y\} \times (B + \{?\})), \subseteq \rangle$. Assign for each block $b \in B$ a suitable, monotone transfer function f_b over this lattice.
- [5 points] Consider the data flow system $\langle G, \mathcal{D}, \{(x, ?), (y, ?)\}, (f_b)_{b \in B} \rangle$. Write down the induced equation system and determine its least solution using Kleene's fixed point theorem.

Exercise 2: Live Variables [9 points]

Perform a Live-Variables-Analysis on the following program.

```
[x := 0]0
while [x2 < y]1 do
  | [x := x + 1]2
end while
if [x2 = y]3 then
  | [x := 1]4
else
  | [x := 0]5
end if
```

- [1 point] Draw the control flow graph G for $B = \{0, 1, 2, 3, 4, 5\}$ and mark its extremal blocks. Note that this is a backwards analysis.
- [3 points] Consider the lattice $\mathcal{D} = \langle \mathcal{P}(\{x, y\}), \subseteq \rangle$. Assign for each block $b \in B$ a suitable, monotone transfer function f_b over this lattice.
- [5 points] Consider the data flow system $\langle G, \mathcal{D}, \emptyset, (f_b)_{b \in B} \rangle$. Write down the induced equation system and determine its least solution using Kleene's fixed point theorem.

Exercise 3: REG to NFA [10 points]

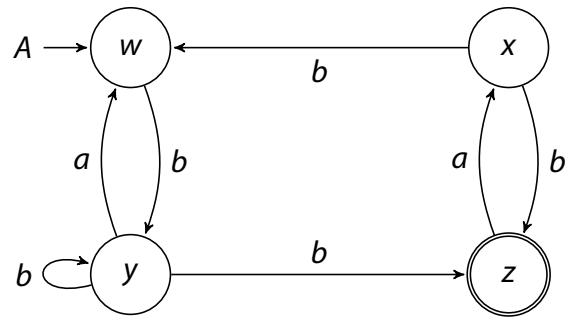
Stepwise construct a finite automaton for the regular expression $(c \cup a(b \cup ca)^*(\epsilon \cup cc))((a \cup b)c^* \cup a^*b(cb)^*)^*$ over the alphabet $\{a, b, c\}$. It suffices to draw a state chart for each automaton.

Note: The operator precedence is as follows: $(^*)$, (\cdot) , (\cup)

- [1 point] Give an automaton A for $(a \cup b)c^*$.
- [1 point] Give an automaton B for $a^*b(cb)^*$.
- [2 points] Give an automaton C for $\mathcal{L}(A) \cup \mathcal{L}(B)$.
- [2 points] Give an automaton D for $\mathcal{L}(C)^*$.
- [2 points] Give an automaton E for $c \cup a(b \cup ca)^*(\epsilon \cup cc)$. You will not need more than three states.
- [2 points] Give an automaton F for $\mathcal{L}(E) \cdot \mathcal{L}(D)$.

Exercise 4: NFA to REG using Arden's Rule [7 points]

Consider the following NFA A over the alphabet $\{a, b\}$:



- a) [1 point] Formulate the equation system associated with A .
- b) [4 points] Find a regular expression for $\mathcal{L}(A)$ by solving the equation system using Arden's Rule.
- c) [2 points] State the solution of the equation system for the state z . Give an NFA for this regular expression.